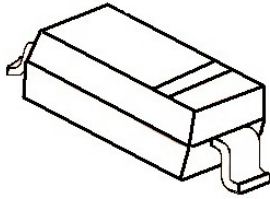


SOD-323

SOD-323 贴片塑封二极管  
200mW SOD-323 Fast Switching Diode

MARKING: JS

## 特征 Features

- 开关速度小于 50nS; Fast Switching Device (TRR <50 nS)
- 最大功率耗散 200mW; Power Dissipation of 250mW
- 高稳定性和可靠性。High Stability and High Reliability
- 反向漏电流小。Low reverse leakage

## 机械数据 Mechanical Data

- 封装: SOD-323 封装 SOD-323 Small Outline Plastic Package
- 极性: 色环端为负极 Polarity: Color band denotes cathode end
- 安装位置: 任意 Mounting Position: Any

极限值和温度特性(TA = 25°C 除非另有规定)

Maximum Ratings &amp; Thermal Characteristics (Ratings at 25°C ambient temperature unless otherwise specified.)

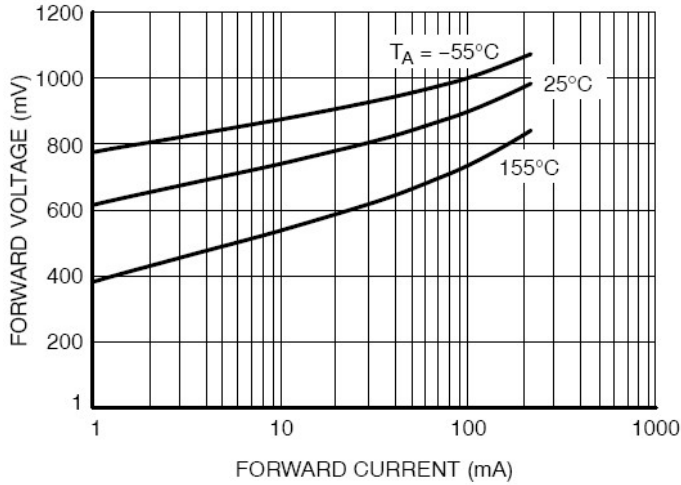
参数 Parameters	符号 Symbol	数值 Value	单位 Unit
反向电压 Reverse Voltage	V <sub>R</sub>	250	V
反向峰值电压 Peak Repetitive Reverse Voltage	V <sub>RRM</sub>	250	V
功率消耗 Power Dissipation	P <sub>d</sub>	200	mW
工作结温 Operating junction temperature	T <sub>j</sub>	150	°C
存储温度 Storage temperature range	T <sub>s</sub>	-55-+150	°C
热阻抗 Thermal Resistance from Junction to Ambient	R <sub>θJA</sub>	635	°C/W
平均整流电流 Average Rectified Current	I <sub>o</sub>	200	mA
正向(不重复)浪涌电流 Peak Forward Surge Current @tp=1us; TA=25°C	I <sub>FSM</sub>	20	A

Valid provided that electrodes are kept at ambient temperature.

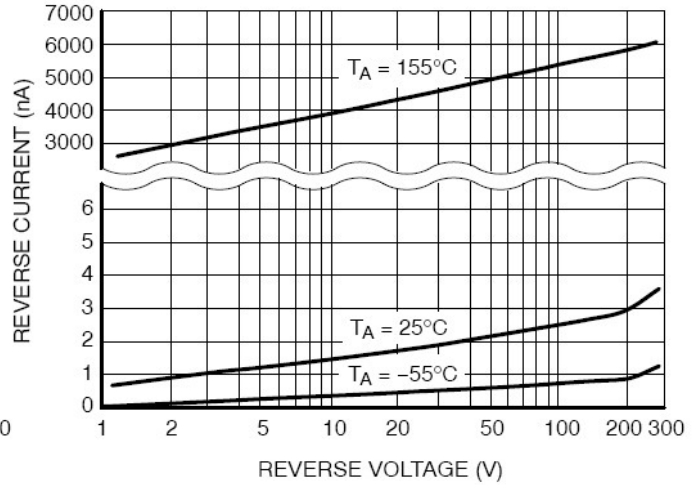
电特性 Electrical Characteristics (Ratings at 25°C ambient temperature unless otherwise specified).

符号 Symbols	参数 Parameter	测试条件 Test Condition	界限 Limits		单位 Unit
			Min	Max	
V(BR)	反向电压 Reverse Voltage	IR=100uA	250		V
I <sub>R</sub>	反向漏电流 Reverse Leakage Current	VR=200V	---	100	nA
V <sub>F</sub>	正向电压 Forward Voltage	IF=100mA	---	1.0.	V
		IF=200mA	---	1.25	
T <sub>RR</sub>	反向恢复时间 Reverse Recovery Time	IF= IR=30mA	---	50	nS
		RL=100Ω			
CD	结电容 Capacitance	VR=0V, f=1MHZ	---	5.0	pF

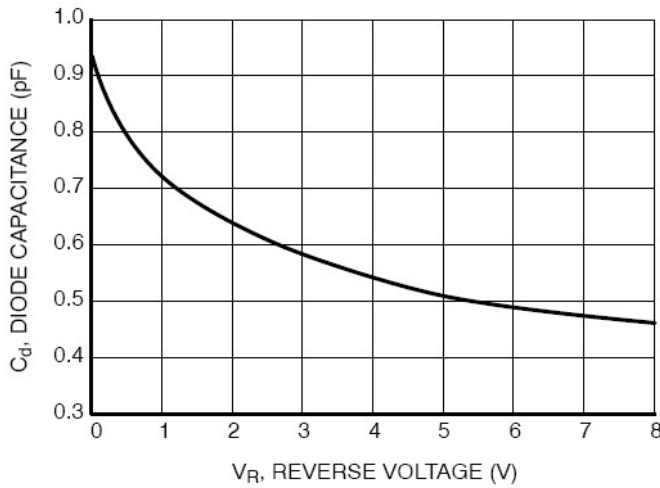
**Typical Characteristics**



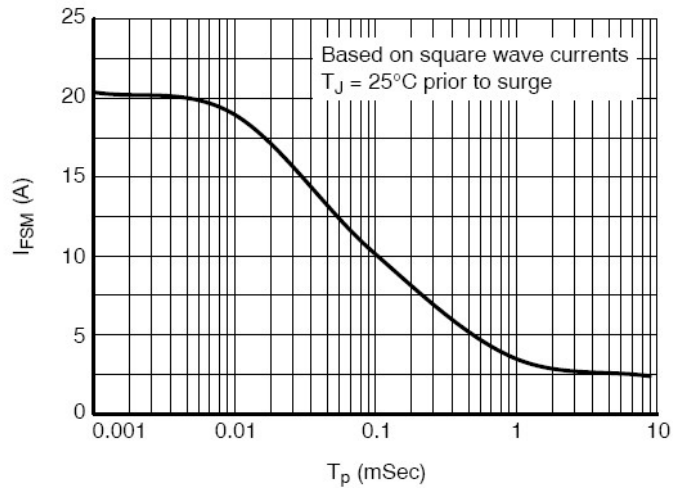
**Figure 2. Forward Voltage**



**Figure 3. Reverse Leakage**



**Figure 4. Diode Capacitance**

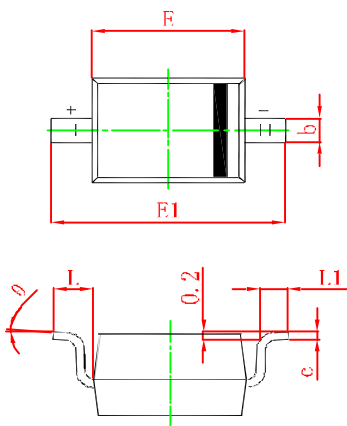


**Figure 5. Maximum Non-repetitive Peak Forward Current as a Function of Pulse Duration, Typical Values**

**SOD-323 PACKAGE OUTLINE**

Plastic surface mounted package

**SOD-323**



Symbol	Min.(mm)	Max.(mm)
A		1.000
A1	0.000	0.100
A2	0.800	0.900
b	0.250	0.350
c	0.080	0.150
D	1.200	1.400
E	1.600	1.800
E1	2.500	2.700
L	0.475REF	
L1	0.250	0.400
θ	0°	8°